

Technical data sheet



Product features

Cooling cabinet 130 l, white

Model	SAP Code	00018507
--------------	-----------------	----------



- Chamber volume [l]: 130
- Minimum device temperature [°C]: 0
- Maximum device temperature [°C]: 10
- Insulation thickness [mm]: 40
- Control type: Digital
- Door lock: Yes
- Opening of device: Two-sided
- Annual energy consumption [kWh]: 402

SAP Code	00018507	Energy class	C
Net Width [mm]	600	Chamber volume [l]	130
Net Depth [mm]	615	Number of internal parts	3
Net Height [mm]	855	Minimum device temperature [°C]	0
Net Weight [kg]	47.00	Maximum device temperature [°C]	10
Power electric [kW]	0.158	Refrigerant	R290
Loading	230 V / 1N - 50 Hz	Refrigerant weight [g]	46.00

Technical data sheet



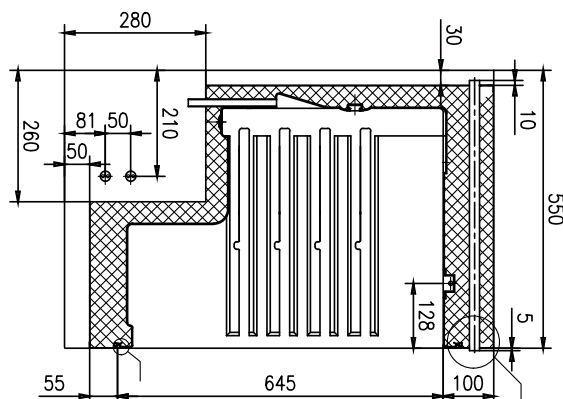
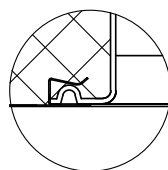
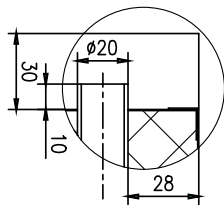
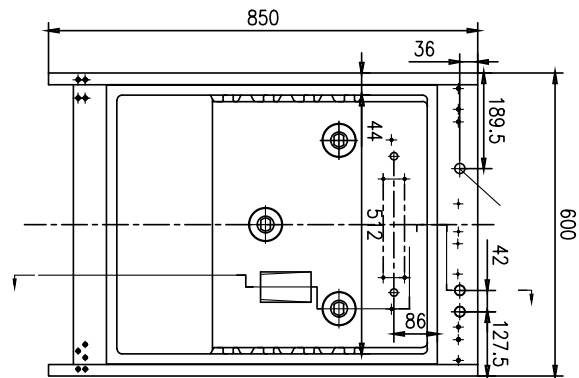
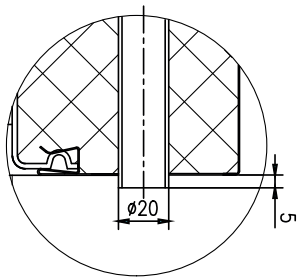
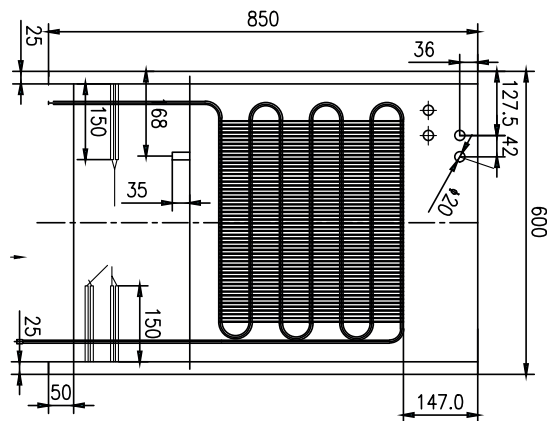
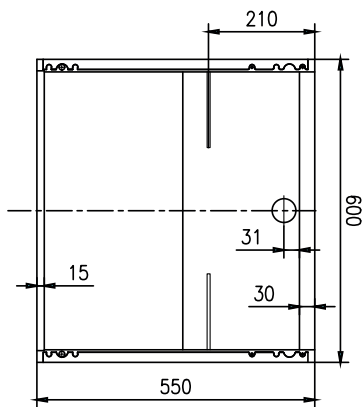
Technical drawing

Cooling cabinet 130 l, white

Model

SAP Code

00018507



Technical data sheet



Technical parameters

Cooling cabinet 130 l, white

Model	SAP Code	00018507
-------	----------	----------

1. SAP Code:

00018507

2. Article group:

RF-Refrigerators

3. Net Width [mm]:

600

4. Net Depth [mm]:

615

5. Net Height [mm]:

855

6. Net Weight [kg]:

47.00

7. Gross Width [mm]:

625

8. Gross depth [mm]:

645

9. Gross Height [mm]:

1055

10. Gross Weight [kg]:

52.00

11. Device type:

Electric unit

12. Power electric [kW]:

0.158

13. Loading:

230 V / 1N - 50 Hz

14. Energy class:

C

15. Refrigerant:

R290

16. Cooling type:

Static with fan

17. Material:

Lacquered sheet metal

18. Device color:

White

19. Device properties 2:

Cooling

20. Number of internal parts:

3

21. Chamber volume [l]:

130

22. Worktop material:

Tin-plate

23. Adjustable feet:

Yes

24. Insulation thickness [mm]:

40

25. Opening of device:

Two-sided

26. Gasket:

Yes

27. Number of doors:

1

28. Unit:

Yes

Technical data sheet



Technical parameters

Cooling cabinet 130 l, white

Model

SAP Code

00018507

29. Control type:

Digital

33. Maximum device temperature [$^{\circ}\text{C}$]:

10

30. Door lock:

Yes

34. Thaving cycle:

Yes

31. Annual energy consumption [kWh]:

402

35. Refrigerant weight [g]:

46.00

32. Minimum device temperature [$^{\circ}\text{C}$]:

0